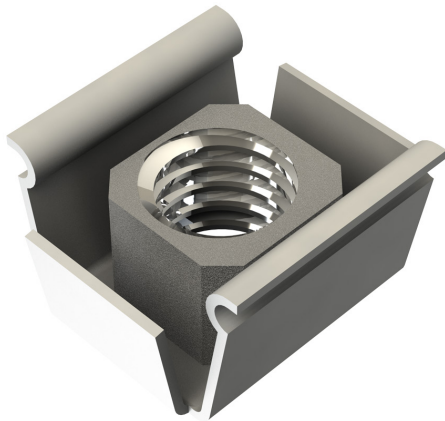


**PRODUCT CODE: THB-M6**  
M6 CAPTIVE NUT



**DESCRIPTION**

M6 Captive Nut

**FINISH**

BZP

**MATERIAL**

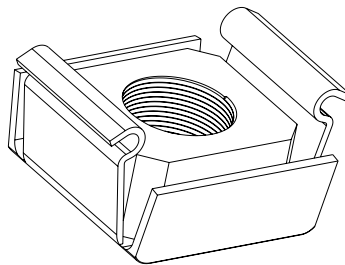
Steel

**PACKAGING**

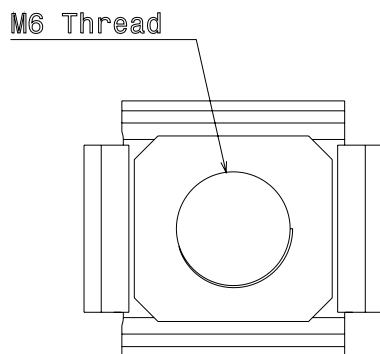
Packed in qty 100

**ADDITIONAL NOTES**

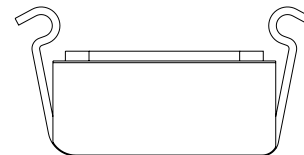
Captive M6 flat nut assembly to be used with Metpro stand off brackets  
Compliant to LU Standard 1-085 (for use on surface & sub-surface locations)



Isometric view



Top view



Side view